

Fast and
reliable

TDR 5 Manual

The Turbo Deli Rotisserie is the fastest original rotisserie in the industry. The TDR's cavity is fed with fresh air, cooking a rotisserie chicken as it is meant to be: crispy and delicious while maintaining an attractive appearance for hours.

The TDR pushes the air throughout the cavity, resulting in an improved heat transfer on the products. It consumes less electricity during the preparation process. Add to this the improved cooking time and you have the most energy efficient rotisserie and a high output.

The double glass doors create a striking, large display section that maximises your products' visual appeal to customers! It also offers perfect insulation with contact temperatures below 70°C.



Features TDR 5 Manual

Top features

- Controls with manual settings
- Set time, temperature and start of the rotisserie
- Efficient heat transfer reduces energy consumption

Standard characteristics

- 5 Meat fork, V-spit, basket or rack positions
- Rotor for up to 20 chicken (1,2 kg) per batch
- Outstanding food quality: high speed convection for even cooking
- Outstanding food quality: radiant heat for uniform browning
- Striking display created by infrared halogen lamps
- Rotor button on both sides
- Safety stop when opening the door
- Cool double glass doors, safe to touch
- Door at control side, optional door on customer side
- No water and drain connections needed
- Removable parts for easy cleaning
- Simplified deep cleaning
- High quality stainless steel construction, exterior and interior

Accessories

- Meat forks (included)
- Multi-purpose baskets
- V-spits
- Chicken racks
- Door handle set on customer side for pass through operation
- Matching stand on castors

Optional

- Double stacked unit
- Pass-through
- Ventless hood



Manual controls



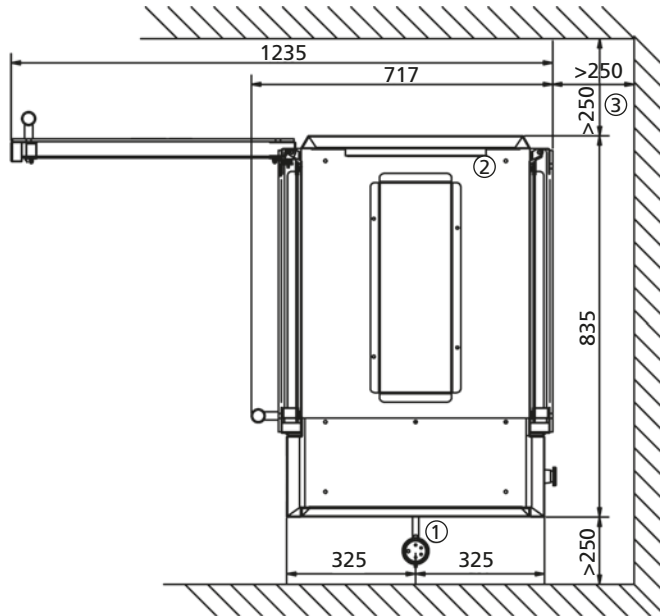
Rotor button on customer side



Ventless hood (optional)



Large display section



TDR 5 Manual

- 1 Power cable, 2.2 m
- 2 Exhaust opening
- 3 Space to the wall
- 4 Location for socket

Dimensions TDR 5

Width	835 mm
Depth	717 mm
Height	910 mm
Height incl. stand	1725 mm
Height incl. hood	1245 mm
Depth incl. hood	853 mm

Technical data TDR 5

Net weight	130 kg
Gross weight	152 kg
Voltage	3N~ 400/230 V
Frequency	50/60 Hz
Power	6.6 kW

Dimensions TDR 5+5

Width	835 mm
Depth	717 mm
Height	1790 mm
Height incl. hood	2124 mm
Depth incl. hood	853 mm

Technical data TDR 5+5

Net weight	266 kg
Gross weight	306 kg
Voltage	3N~ 400/230 V
Frequency	50/60 Hz
Power	13.2 kW

Specifications and technical data are subject to amendment without prior notice.

These are basic drawings. For more detailed technical information, please refer to the installation manual at www.frijado.com.

