

In-store impulse-generating merchandiser

Multi Deck 60 - 3 level



Selling hot food from a self serve merchandiser is a great way to increase your sales and margins. The Fri-Jado heated Multi Deck triggers your customers to pick up hot grab-and-go products in a quick and convenient way, anywhere in the store. And thanks to its upright design, it only uses limited floor space.

Hot air is blown from the front of the shelf and circulates within the shelf surface resulting in optimum air circulation around the hot product.

As the Multi Deck has limited height it can easily be installed as an aisle end or integrated in your deli department without blocking your customers' view. The large glass surface and lighting on each shelf draw extra attention to your products, boosting impulse sales.

Features MD 60 - 3 Premium

Top features

- Self serve heated Multi Deck display
- Attractive presentation that boosts impulse sales
- Patented Hot Blanket holding technology keeps products warm
- Customizable price strips
- Illuminated, customizable top banner
- Safety lighting on each level

Standard characteristics

- 60 cm wide - 3 level display
- Product temperature maintained at 65°C
- Ideal for chicken, wraps, snacks, soups etc.
- Upright design saves space
- Total display capacity of 0.8 m²
- Footprint of 0.5 m²
- Shatter-resistant clear side glass for optimum safety
- Saves up to 20% on energy by air-curtain technology on each shelf
- Safe holding temperature for up to four hours
- Angled shelves provide optimum product visibility
- Cross-merchandising capabilities
- Front bumpers to protect from shopping carts
- Solid back as standard
- 98% recyclable (environmentally friendly)
- Plug-and-play

Accessories

- Customer-side temperature indicator
- Lower skirts (covering wheels)

Optional

- Doors at rear (pass through)
- Front door



Optimum product visibility



Signage



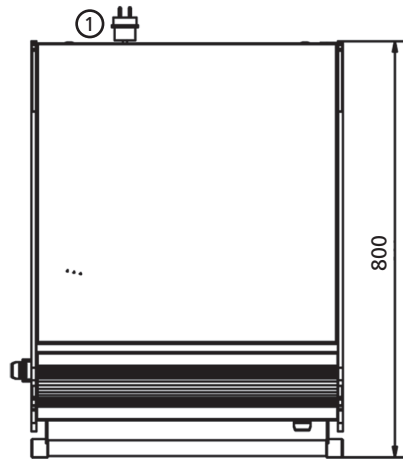
Rear doors (optional)



Keeps hot food at 65°C

MD 60-3 Premium

1 Power cable, 2 m



Dimensions

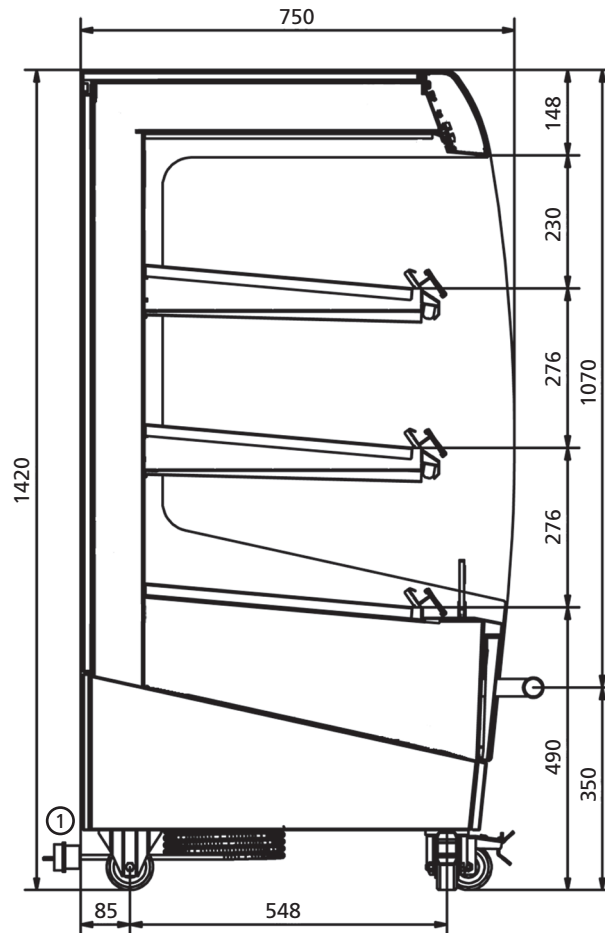
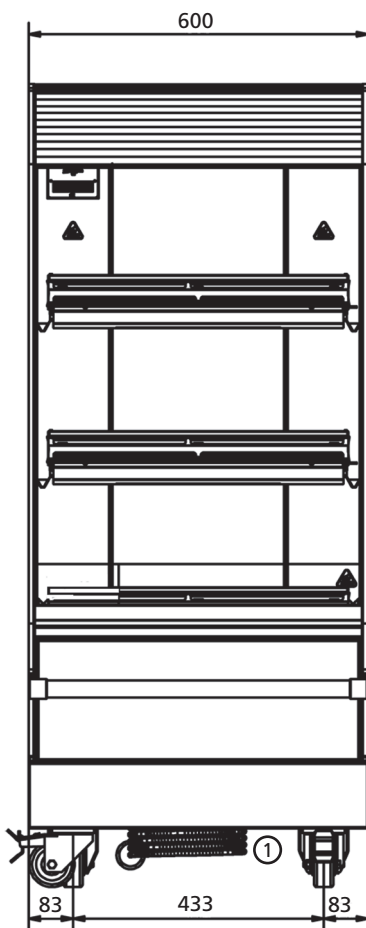
Width	600 mm
Depth	800 mm
Height	1420 mm

Technical data

Net weight	155 kg
Gross weight	182 kg
Voltage	1N~ 230 V
Frequency	50/60 Hz
Power	2.4 kW

Specifications and technical data are subject to amendment without notice.

These are basic drawings. For more detailed technical information, please refer to the installation manual at www.frijado.com.



In-store impulse-generating merchandiser

Multi Deck 100 - 3 level



Selling hot food from a self serve merchandiser is a great way to increase your sales and margins. The Fri-Jado heated Multi Deck triggers your customers to pick up hot grab-and-go products in a quick and convenient way, anywhere in the store. And thanks to its upright design, it only uses limited floor space.

Hot air is blown from the front of the shelf and circulates within the shelf surface resulting in optimum air circulation around the hot product.

As the Multi Deck has limited height it can easily be installed as an aisle end or integrated in your deli department without blocking your customers' view. The large glass surface and lighting on each shelf draw extra attention to your products, boosting impulse sales.

Features MD 100 - 3 Premium

Top features

- Self-serve heated Multi Deck display unit
- Illuminated customizable sign at top
- Customizable price strips on each shelf
- Safety lighting on each level
- Hot Blanket holding technology: consistent temperature
- Boosts impulse sales
- Pass-through version for easy operator access

Standard characteristics

- 100 cm wide - 3 level display
- Product temperature maintained at 65°C
- Ideal for chicken, wraps, snacks, soups etc.
- Upright design saves space
- Total display capacity of 1.32 m²
- Footprint of 0.8 m²
- Shatter-resistant clear side glass for optimum safety and insulation
- Saves up to 20% on energy by air-curtain technology on each shelf
- Safe holding temperature for up to four hours
- Angled shelves provide optimum product visibility
- Cross-merchandising capabilities
- Front bumpers to protect from shopping carts
- Solid back as standard
- 98% recyclable (environmentally friendly)
- Plug-and-play

Accessories

- Customer-side temperature indicator
- Lower skirts (covering wheels)

Optional

- Doors at rear (pass through)
- Front doors



Optimum product visibility



Signage



Rear doors (optional)



Keeps hot food at 65°C

MD 100-3 Premium

1 Power cable, 2 m

Dimensions

Width	1000 mm
Depth	800 mm
Height	1420 mm

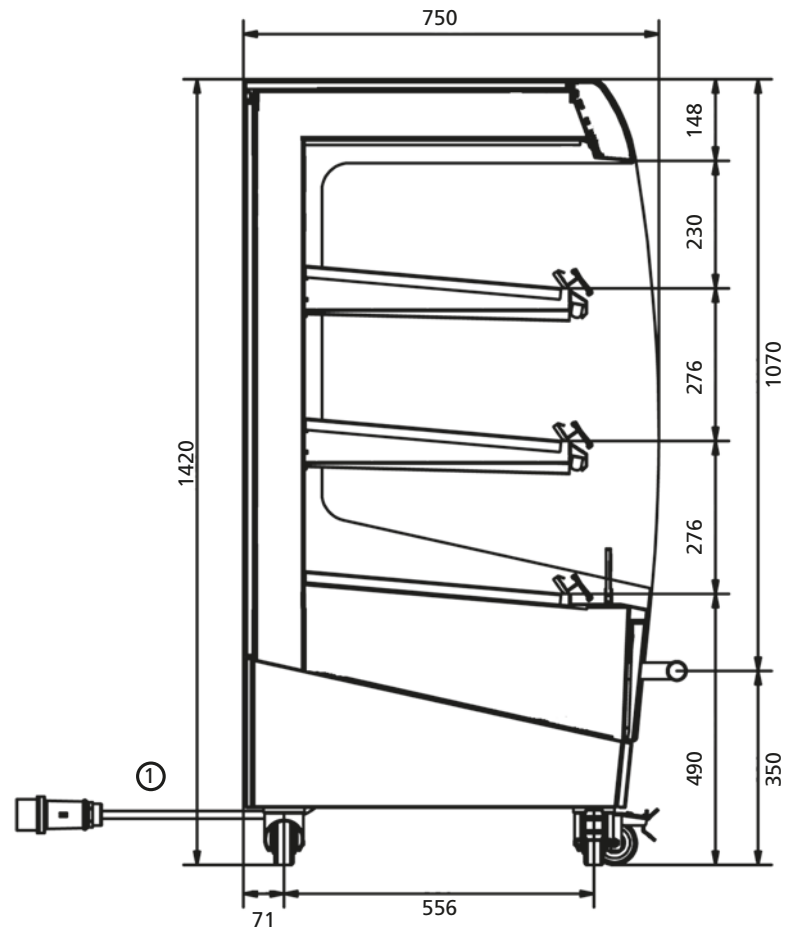
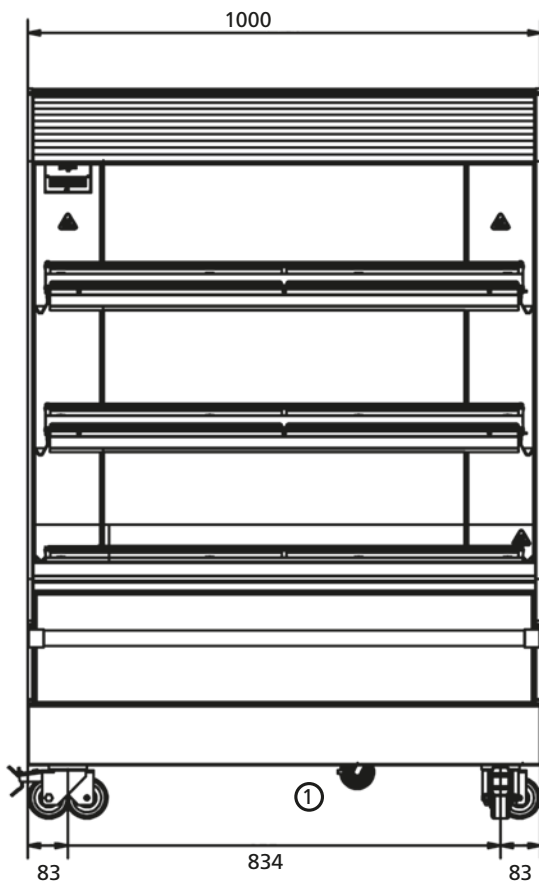
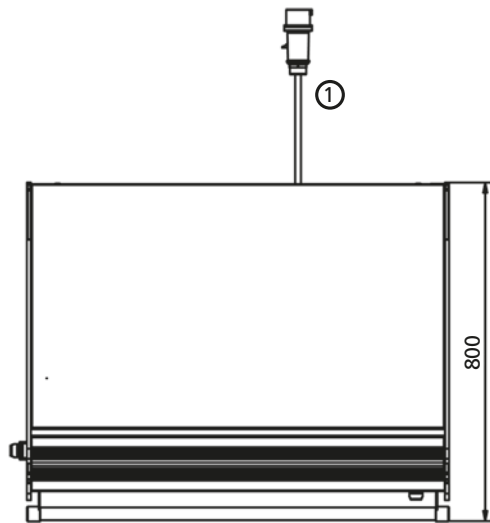
Technical data

Net weight	200 kg
Gross weight	235 kg
Voltage	3N~ 400/230 V
Frequency	50/60 Hz
Power	3.5 kW

Specifications and technical data are subject to amendment without notice.

These are basic drawings. For more detailed technical information, please refer to the installation manual at www.frijado.com.

Patent number: EP2309897



In-store impulse-generating merchandiser

Multi Deck 120 - 3 level



Selling hot food from a self serve merchandiser is a great way to increase your sales and margins. The Fri-Jado heated Multi Deck triggers your customers to pick up hot grab-and-go products in a quick and convenient way, anywhere in the store. And thanks to its upright design, it only uses limited floor space.

Hot air is blown from the front of the shelf and circulates within the shelf surface resulting in optimum air circulation around the hot product.

As the Multi Deck has limited height it can easily be installed as an aisle end or integrated in your deli department without blocking your customers' view. The large glass surface and lighting on each shelf draw extra attention to your products, boosting impulse sales.

Features MD 120 - 3 Premium

Top features

- Self serve heated Multi Deck display
- Attractive presentation that boosts impulse sales
- Patented Hot Blanket holding technology keeps products warm
- Customizable price strips
- Illuminated, customizable top banner
- Safety lighting on each level

Standard characteristics

- 120 cm wide - 3 level display
- Product temperature maintained at 65°C
- Ideal for chicken, wraps, snacks, soups etc.
- Upright design saves space
- Total display capacity of 1.59 m²
- Footprint of 0.96 m²
- Shatter-resistant clear side glass for optimum safety
- Saves up to 20% on energy by air-curtain technology on each shelf
- Safe holding temperature for up to four hours
- Angled shelves provide optimum product visibility
- Cross-merchandising capabilities
- Front bumpers to protect from shopping carts
- Solid back as standard
- 98% recyclable (environmentally friendly)
- Plug-and-play

Accessories

- Customer-side temperature indicator
- Lower skirts (covering wheels)

Optional

- Doors at rear (pass through)
- Front doors



Optimum product visibility



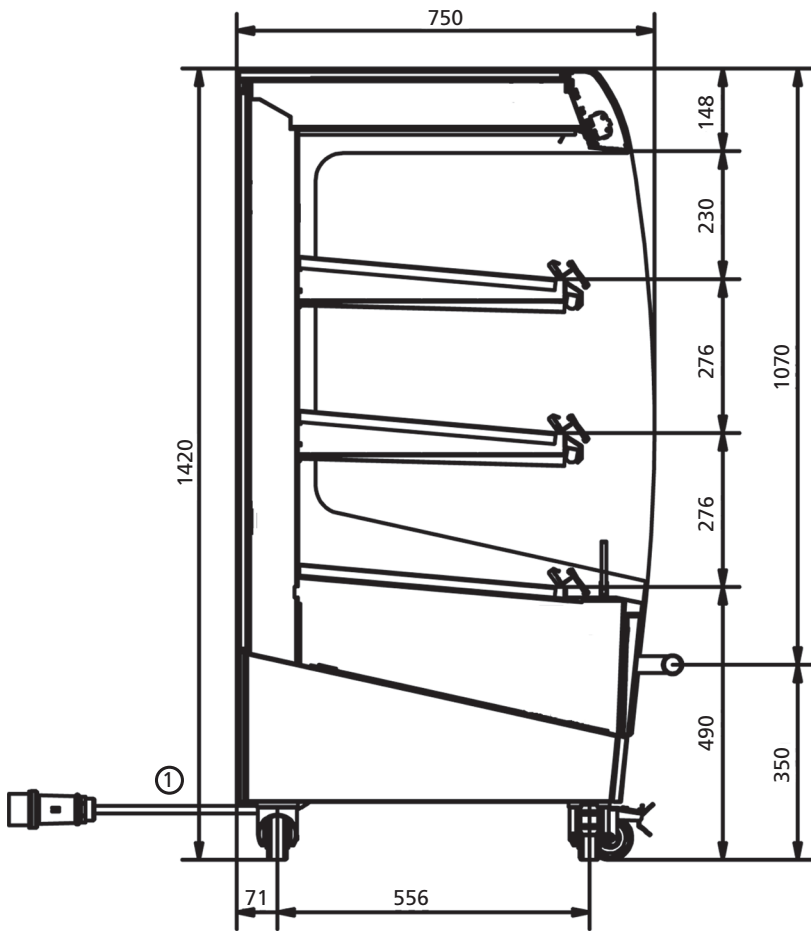
Signage



Rear doors (optional)



Keeps hot food at 65°C



MD 120-3 Premium

1 Power cable, 2 m

Dimensions

Width	1200 mm
Depth	800 mm
Height	1420 mm

Technical data

Net weight	215 kg
Gross weight	235 kg
Voltage	3N~ 400/230
Frequency	50/60 Hz
Power	4.3 kW

Specifications and technical data are subject to amendment without notice.

These are basic drawings. For more detailed technical information, please refer to the installation manual at www.frijado.com.

