

Maximum flexibility

Modular Counter
Ambient



The Fri-Jado Modular Counter range delivers a speedy and easy shopping experience for both customers and operators, through:

- A well-lit, clean and inviting hot, cold and ambient food system to cover all fresh food categories
- An ergonomic design providing easy access
- Unobstructed visibility for the customer
- Easy to adapt to any format within new stores or retrofits
- Providing the opportunity for increased basket sales through meal deals

Features MC Ambient Square

Top features

- Inline refrigerated display cabinet, full-serve or self-serve
- Can be combined with heated and refrigerated counters
- Available in 1000 and 750 mm width

Standard characteristics

- Lighting on each shelf
- Double glass sliding doors for optimal operator access
- Stainless steel and powder-coated interior and exterior
- Ideal for cakes, doughnuts, muffins, pies and other meal solutions
- Point-of-sales promotion options in price strips



POS options



MC 100 Hot Square



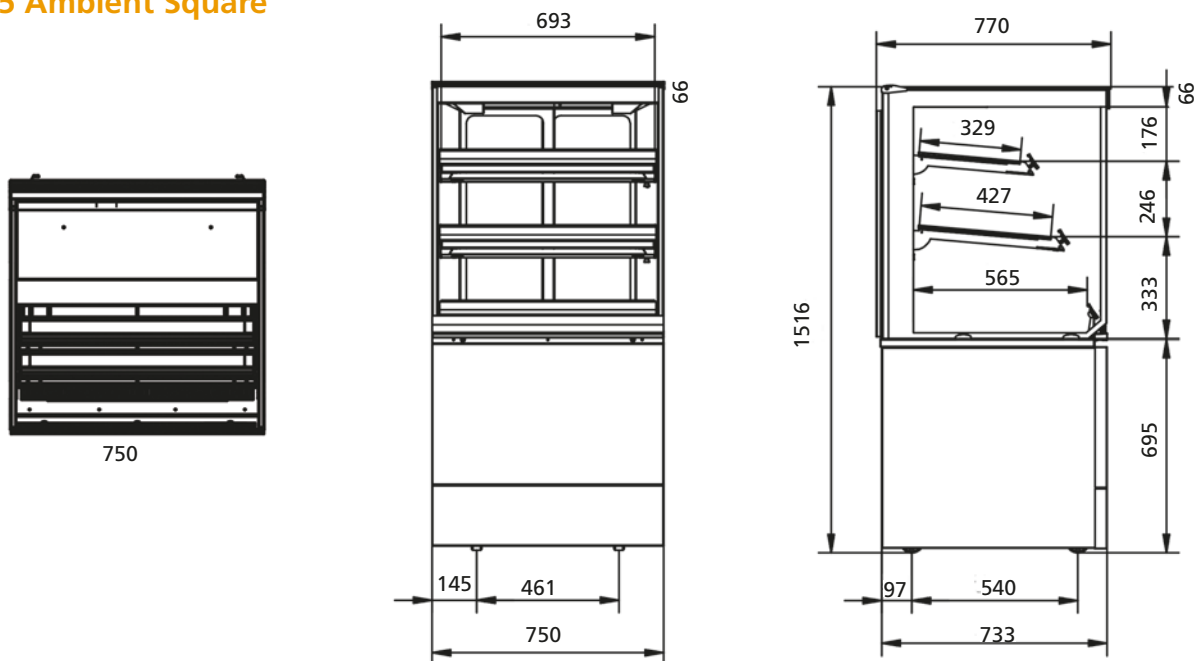
Three presentation levels



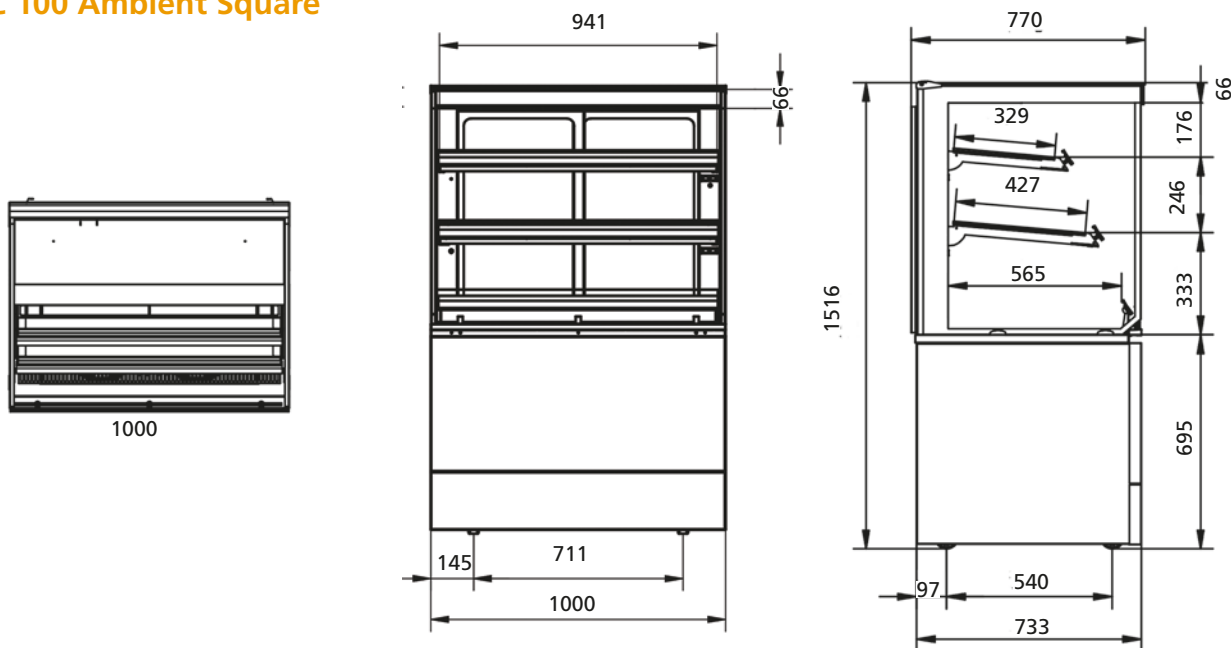
MC 75 Hot Square

	MC 75 ambient FS	MC 75 ambient SS	MC 100 ambient FS	MC 100 ambient SS
Width	750 mm	750 mm	1000 mm	1000 mm
Depth	770 mm	770 mm	770 mm	770 mm
Height	1516 mm	1516 mm	1516 mm	1516 mm
Net weight	118 kg	112 kg	144 kg	137 kg
Gross weight	141 kg	134 kg	172 kg	165 kg
Voltage	1N~230V	1N~230V	1N~230V	1N~230V
Frequency	50Hz	50 Hz	50 Hz	50 Hz
Power	0,5 kW	0,5 kW	0,5 kW	0,5 kW

MC 75 Ambient Square



MC 100 Ambient Square



Specifications and technical data are subject to amendment without prior notice.

These are basic drawings. For more detailed technical information, please refer to the installation manual at www.frijado.com.

Fri-Jado B.V.

P.O. Box 560

4870 AN Etten-Leur

The Netherlands

Phone +31 76 50 85 400

Fax +31 76 50 85 444

e-mail info@frijado.com

www.frijado.com