

# Cold

## Custom Counter

Your deli products look **DELicious** in our Full Serve or Self Serve Cold model. This model has been designed for presentation of packed and unpacked products that are not prone to dehydration such as cheese, meat-products and meals.

### In the spotlight

Warm white or optional meat-enhancing LED light makes your products look bright and fresh! Your chilled products enjoy optimal product temperatures thanks to superior refrigeration technology. The Cold model has the highest stacking height in our range.

### Custom Counter Configurator

Designing a tailor-made counter is easier than ever before with our Custom Counter Configurator. The Fri-Jado team is ready to assist you in configuring your perfect counter by using this tool. The configurator creates a counter that meets your exact needs and visualizes what this could look like in a 3D image.



### Key Features Custom Counter Cold

- Curved or Unisquare (squared) lift-up glass
- LED light (warm white / optional meat enhancing)
- Optional blackened stainless steel interior
- Optional front lighting
- Flat deck, stepped deck or GN pans interior
- Large customizable worktop (280 mm) with optional accessory rail to mount cutting boards, sliding scale platforms, bag hooks etc.
- Various bumper options
- Customizable cladding and materials
- Integral or remote refrigeration
- Optional night covers
- Multiplexable with other Custom Counter models



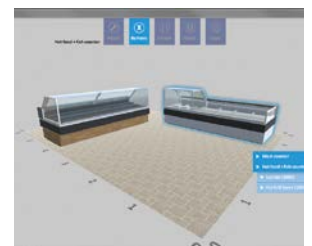
Lift-up glass opens in its own space



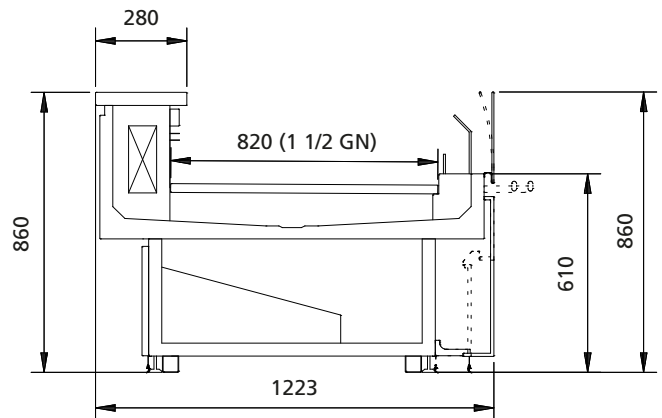
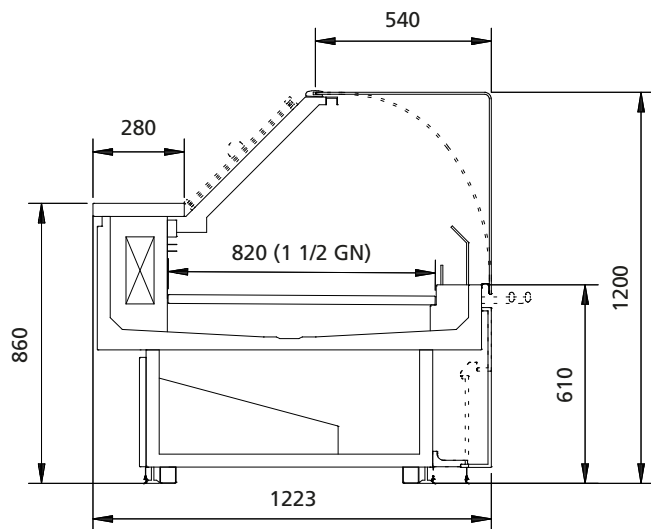
LED light



Customizable cladding and materials



Custom Counter Configurator



### Technical specifications

Model	Cold Full Serve, Self Serve
Length options (mm)	750, 1000, 1250, 1500, 1750, 2000, 2250, 2500, 2750, 3000, 3250, 3500, 3750*
Product temperature	- 1 < T < 5 °C (up to 3M0 classification according to EN ISO 23953**)
Presentation area	820 mm or 1 ½ GN
Refrigeration capacity	< 400 W/m
Evaporation temperature	Up to - 4°C
Stacking height	Up to 200 mm
Glass	Curved or Unisquare (squared) lift-up glass
Lighting	LED warm white / meat colouring (optional)
Technology	Forced airflow, rear evaporator coil, chilled deck
Misting	-
Refrigerant options (other refrigerants on request)	Remote Glycol, R404a, R407f, R744 (CO <sub>2</sub> ) Integral R134a, R1234yf
Interior configuration	Flat deck, stepped deck, GN pans
Interior material	Stainless steel (optional blackened)
Exterior	Customizable cladding and materials. Various bumper options.
Worktop	Large customizable worktop (280 mm) with optional accessory rail to mount cutting boards, sliding scale platforms, bag hooks etc.

\* Minimum and/or maximum length may be limited by selected refrigeration options.

\*\* Depending on store temperature, interior configuration, stacking height and evaporation temperature.

Specifications and technical data are subject to amendment without prior notice. Please check [www.yourcustomcounter.com](http://www.yourcustomcounter.com) for the latest information and specifications.