

Mouth-watering display

Cold Deli 3

The Cold Deli square is available in 3, 4 and 5 GN-pan sizes. Systems can be installed as drop-in versions in a counter or on a matching stand. For maximum flexibility, the unit is self-contained and can be installed anywhere a single-phase socket is available.

The Cold Deli is based on simplicity. All basic features are united in these cabinets without quality and finishing being compromised. These counters contain the perfect holding climate to keep your products fresh.

The Cold Deli is complete in functionality. The mild airflow enables you to hold and display the most versatile food products with different holding requirements. Combine the Cold Deli with the Hot Deli to display both your hot and cold food products in one matching design.



Features Cold Deli 3 Square

Top features

- Square glass
- Long holding time: constant temperature keeps your products fresh
- Plug and play

Standard characteristics

- Product temperature maintained at 2-5°C
- Reflector-enhanced PLL lighting for attractive promotion
- Hygienic and simple two-button control
- Hot and cold can be combined in one design
- Ergonomically designed for maximum operator convenience
- Stainless steel interior and exterior
- Flat plate: 964 mm x 608 mm
- Front glass lifts and closes easily on gas springs

Accessories

- Cutting board
- Temperature indicator on customer side
- Matching stands



Square glass



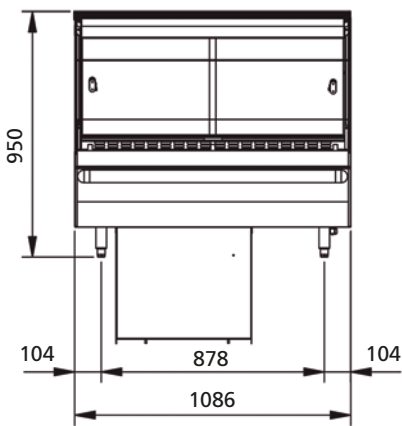
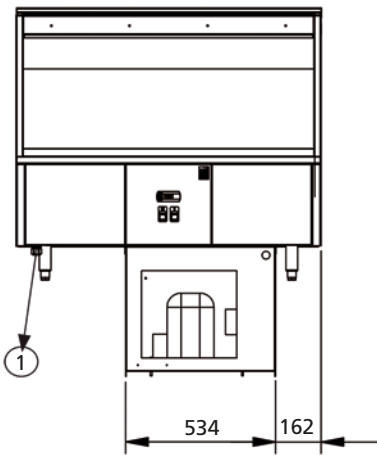
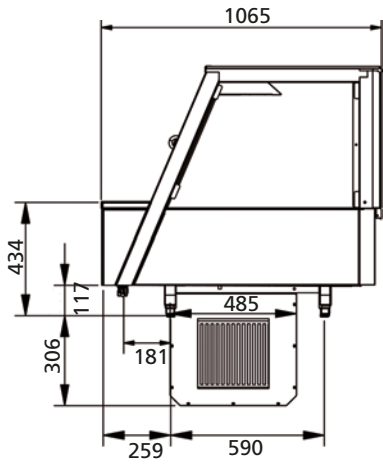
Control panel



Flat plate



Cold Deli Curved



CD 3

Width	1086 mm
Depth	1065 mm
Height	1260 mm
Height on stand	1420 mm
Height on low stand	1300 mm
Net weight	216 kg
Gross weight	246 kg
Voltage	1N~230 V
Frequency	50 Hz
Power	0.9 kW
Temperature class	3M1
Refrigerant	R134A
GWP	1430

Specifications and technical data are subject to amendment without prior notice.

These are basic drawings. For more detailed technical information, please refer to the installation manual at www.frijado.com.

Mouth-watering display

Cold Deli 4

The Cold Deli square is available in 3, 4 and 5 GN-pan sizes. Systems can be installed as drop-in versions in a counter or on a matching stand. For maximum flexibility, the unit is self-contained and can be installed anywhere a single-phase socket is available.

The Cold Deli is based on simplicity. All basic features are united in these cabinets without quality and finishing being compromised. These counters contain the perfect holding climate to keep your products fresh.

The Cold Deli is complete in functionality. The mild airflow enables you to hold and display the most versatile food products with different holding requirements. Combine the Cold Deli with the Hot Deli to display both your hot and cold food products in one matching design.



Features Cold Deli 4 Square

Top features

- Square glass
- Long holding time: constant temperature keeps your products fresh
- Plug and play

Standard characteristics

- Product temperature maintained at 2-5°C
- Reflector-enhanced PLL lighting for attractive promotion
- Hygienic and simple two-button control
- Hot and cold can be combined in one design
- Ergonomically designed for maximum operator convenience
- Stainless steel interior and exterior
- Flat plate: 1297 mm x 608 mm
- Front glass lifts and closes easily on gas springs

Accessories

- Cutting board
- Temperature indicator on customer side
- Matching stands



Square glass



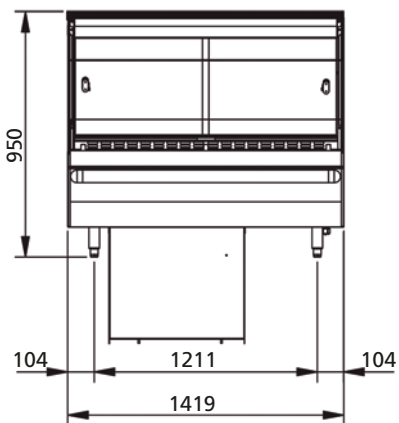
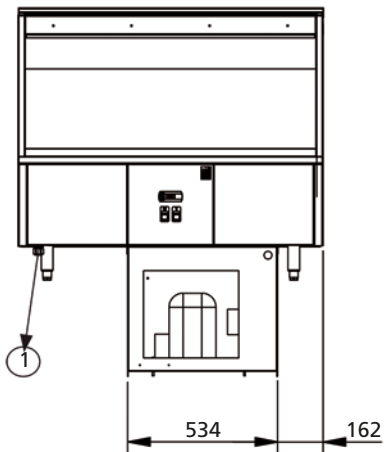
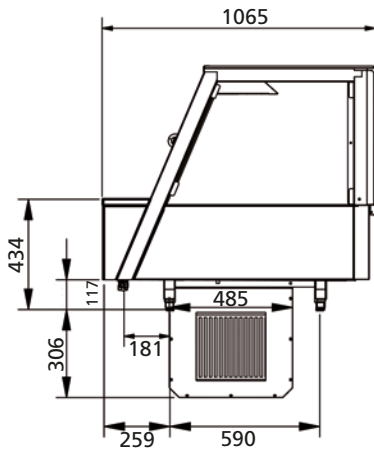
Control panel



Flat plate



Cold Deli Curved



CD 4

Width	1419 mm
Depth	1065 mm
Height	1260 mm
Height on stand	1420 mm
Height on low stand	1300 mm
Net weight	225 kg
Gross weight	265 kg
Voltage	1N~230 V
Frequency	50 Hz
Power	1.1 kW
Temperature class	3M1
Refrigerant	R134A
GWP	1430

Specifications and technical data are subject to amendment without prior notice.

These are basic drawings. For more detailed technical information, please refer to the installation manual at www.frijado.com.

Mouth-watering display

Cold Deli 5

The Cold Deli square is available in 3, 4 and 5 GN-pan sizes. Systems can be installed as drop-in versions in a counter or on a matching stand. For maximum flexibility, the unit is self-contained and can be installed anywhere a single-phase socket is available.

The Cold Deli is based on simplicity. All basic features are united in these cabinets without quality and finishing being compromised. These counters contain the perfect holding climate to keep your products fresh.

The Cold Deli is complete in functionality. The mild airflow enables you to hold and display the most versatile food products with different holding requirements. Combine the Cold Deli with the Hot Deli to display both your hot and cold food products in one matching design.



Features Cold Deli 5 Square

Top features

- Square glass
- Long holding time: constant temperature keeps your products fresh
- Plug and play

Standard characteristics

- Product temperature maintained at 2-5°C
- Reflector-enhanced PLL lighting for attractive promotion
- Hygienic and simple two-button control
- Hot and cold can be combined in one design
- Ergonomically designed for maximum operator convenience
- Stainless steel interior and exterior
- Flat plate: 1630 mm x 608 mm
- Front glass lifts and closes easily on gas springs

Accessories

- Cutting board
- Temperature indicator on customer side
- Matching stands



Square glass



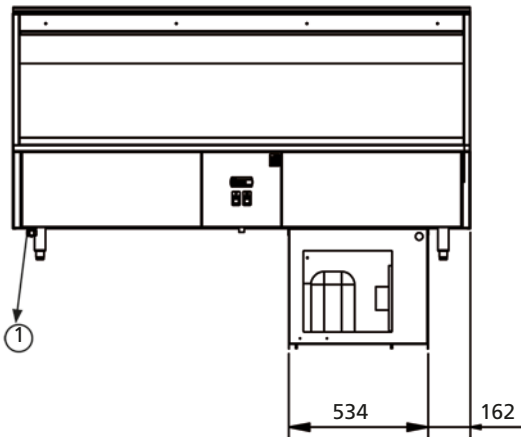
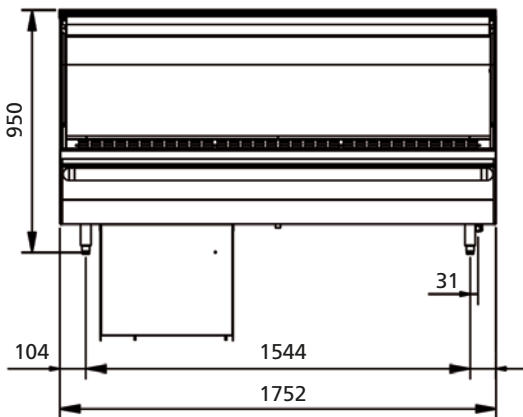
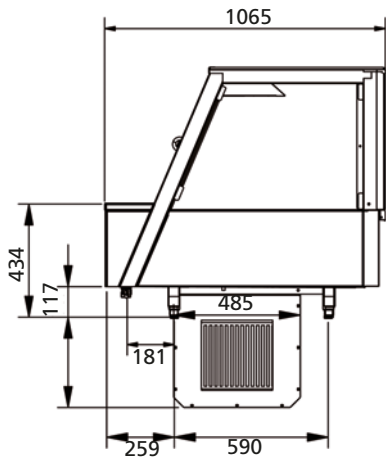
Control panel



Flat plate



Cold Deli Curved



CD 5

Width	1752 mm
Depth	1065 mm
Height	1260 mm
Height on stand	1420 mm
Height on low stand	1300 mm
Net weight	265 kg
Gross weight	312 kg
Voltage	1N~230 V
Frequency	50 Hz
Power	1.2 kW
Temperature class	3M1
Refrigerant	R404A
GWP	3922

Specifications and technical data are subject to amendment without prior notice.

These are basic drawings. For more detailed technical information, please refer to the installation manual at www.frijado.com.