

Mouth-watering display

Hot Deli 2-Tier 3 square



The Hot Deli 2-Tier has two heated presentation levels for increased presentation capacity on the same footprint. It is available as a full serve counter with 3 and 4 GN-pan sizes and can be integrated into an existing counter as drop-in version or installed as a separate counter. The Hot Deli 2-Tier can also be combined with the Cold Deli to display both your hot and cold food products in one matching design.

The Hot Deli 2-Tier creates the perfect holding conditions to keep your products warm at 65-70°C. The mild airflow enables you to hold and display the most versatile food products with different holding requirements. For convenient operator access, each GN-pan section in the lower presentation level has been turned into a drawer.

Features Hot Deli 2-Tier 3 square

Top features

- 2 presentation levels
- Lower level: GN-pan drawer sections that slide out for easy access
- Each drawer section provides a small storage space on the operator side
- Square glass
- Plug and play
- Long holding time: based on constant temperature and mild airflow

Standard characteristics

- Product temperature maintained at 65°C
- Simple controls
- Lower level: pan frame for 3x1/1 GN-pan plus 3x1/3 GN-pan per section
- Upper level: slightly tilted deck with a total presentation area of 2,85 m²
- Lighting on both levels
- Ergonomically designed for maximum operator convenience
- Stainless steel interior and stainless steel exterior

Accessories

- Straight underframe
- Coupling kit 2 merchandisers and underframe
- Cutting board
- Stainless steel cover plate for drawer

Optional

- Price strips



Square glass



GN-pan drawer sections



Price strips on both levels (optional)



Heated second level

Hot Deli 2-Tier 3 square

Dimensions

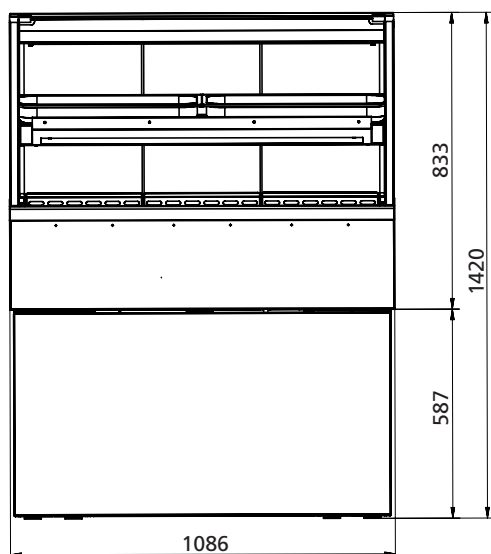
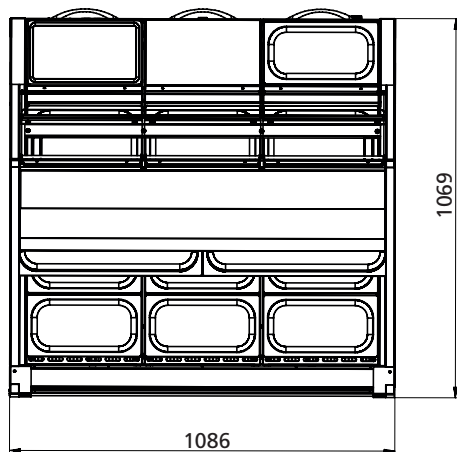
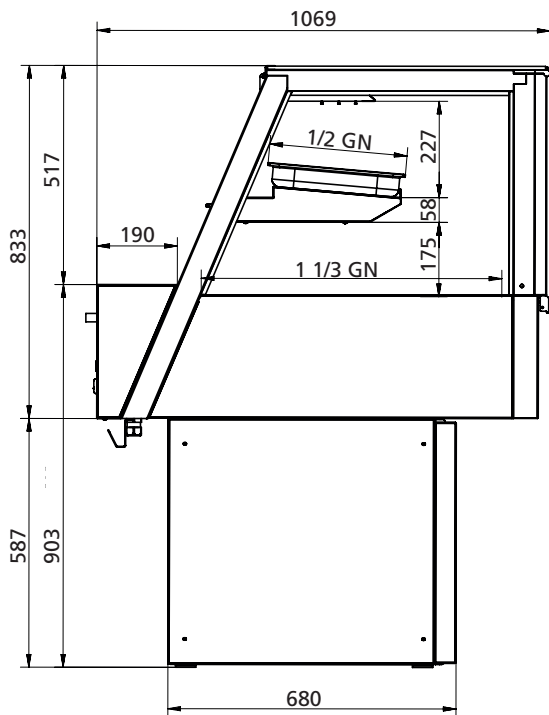
Width	1086 mm
Depth	1058 mm
Height	960 mm
Height on stand	1420 mm

Technical data

Net weight	141 kg
Gross weight	166 kg
Voltage	3N~ 400/230 V
Frequency	50/60 Hz
Power	4.0 kW

Specifications and technical data are subject to amendment without notice.

These are basic drawings. For more detailed technical information, please refer to the installation manual at www.frijado.com.



Mouth-watering display

Hot Deli 2-Tier 4 square



The Hot Deli 2-Tier has two heated presentation levels for increased presentation capacity on the same footprint. It is available as a full serve counter with 3 and 4 GN-pan sizes and can be integrated into an existing counter as drop-in version or installed as a separate counter. The Hot Deli 2-Tier can also be combined with the Cold Deli to display both your hot and cold food products in one matching design.

The Hot Deli 2-Tier creates the perfect holding conditions to keep your products warm at 65-70°C. The mild airflow enables you to hold and display the most versatile food products with different holding requirements. For convenient operator access, each GN-pan section in the lower presentation level has been turned into a drawer.

Features Hot Deli 2-Tier 4 square

Top features

- 2 presentation levels
- Lower level: GN-pan drawer sections that slide out for easy access
- Each drawer section provides a small storage space on the operator side
- Square glass
- Plug and play
- Long holding time: based on constant temperature and mild airflow

Standard characteristics

- Product temperature maintained at 65°C
- Simple controls
- Lower level: pan frame for 4x1/1 GN-pan plus 4x1/3 GN-pan per section
- Upper level: slightly tilted deck with a total presentation area of 3.85 m²
- Lighting on both levels
- Ergonomically designed for maximum operator convenience
- Stainless steel interior and stainless steel exterior

Accessories

- Straight underframe
- Coupling kit 2 merchandisers and underframe
- Cutting board
- Stainless steel cover plate for drawer

Optional

- Price strips



Square glass



GN-pan drawer sections

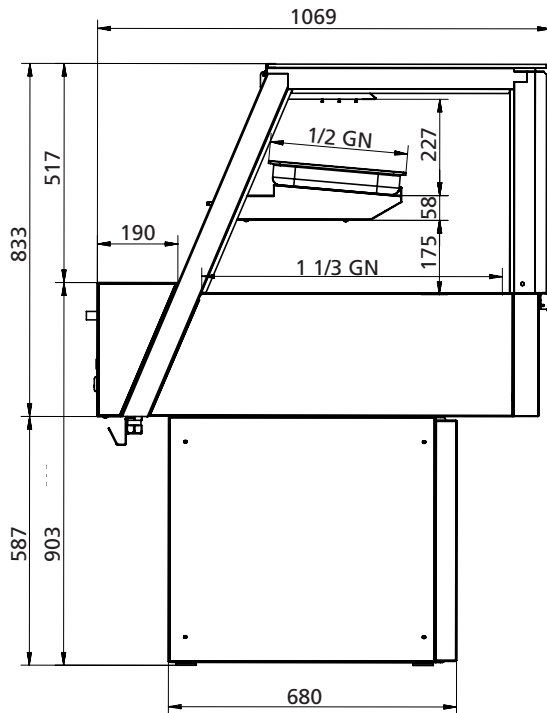


Price strips on both levels (optional)



Heated second level

Hot Deli 2-Tier 4 square



Dimensions

Width	1419 mm
Depth	1058 mm
Height	960 mm
Height on stand	1420 mm

Technical data

Net weight	188 kg
Gross weight	205 kg
Voltage	3N~ 400/230 V
Frequency	50/60 Hz
Power	4.3 kW

Specifications and technical data are subject to amendment without notice.

These are basic drawings. For more detailed technical information, please refer to the installation manual at www.frijado.com.

