



Main features

Printing type



Barcode



Logos



Alphanumeric text

Maximum height



0-15 mm



16-100 mm



Above 100 mm

Printing surfaces



Primary packaging



Secondary packaging



Raw material

- Ergonomic industrial cabinet AISI 304 with IP55 protection for use in nearly any arduous industrial environment.
- Up to 4 lines with height range from 0,8 to 12 mm with Micro Print Nozzle for high quality resolution print.
- Very low consumption thanks to innovative vapour condenser.
- Advanced hydraulic system for quick and easy start up with automatic visible double flushing fitting production lines with long stops.
- Wide range of inks (standard and pigment-ed) developed for several industrial requirements.

Z4500

TECHNICAL SPECIFICATIONS

PRINTING CHARACTERISTICS

- Up to 4 lines of print
- Characters height from 0,8 to 12 mm (0,032" - 0,47")
- Line speed capability: up to 400 mt/min (1320 ft/min)
- Print rate: up to 2136 ct/sec
- 150 messages storage
- Up to 250 characters storage per message
- Selectable lines vertical gap
- Font Matrix: 5x4, 5x5, 7x4, 7x5, 9x7, 10x8, 16x10, 24x16
- Bold factor up to 8 times
- Simple Logo creation and printing
- 30 Logos storage
- Automatic calendar and expiration date print
- Incrementing/decreasing product counters up to 9 digits
- Repeat print – message function
- Printing in all moving directions
- Tower print function (Text rotation of 90°)
- DIN print for cables sector (optional)
- Negative print function
- Coding throw distance up to 90 mm (3,54")

BAR CODES

- 2/5 Industrial, UPC-A, CODE 39, EAN 13 CODE 128 (A,B,C), EAN 128 (A,B,C), 2D – Datamatrix, ITF (A,B,C)

CONTROL UNIT CHARACTERISTICS

- Membrane keyboard solvent resistant
- Blue WYSIWYG Display with high contrast 240x128 pixels
- Stainless Steel structure AISI 304
- Protection IP55
- Conduit length: 2 mt – 6,56 ft (4 mt - 13,1 ft optional)

GENERAL FEATURES

- Single Start/Stop button
- Vapour recovery system for low make up consumption
- Advanced hydraulic system for quick and easy start up with automatic cleaning
- Print parameters storage in the messages
- Keypad access with password
- User-friendly and intuitive operator interface
- Several foreign languages
- Report function for executed printing counter
- Message storage with alphanumeric text

PRINthead

- Stainless steel and aluminium structure hermetically sealed

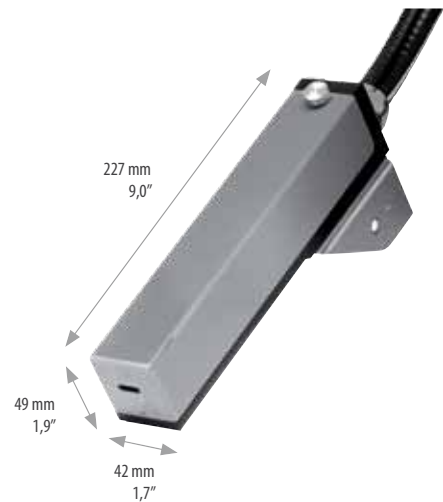
- Micro Print Nozzle for high quality resolution print (optional)
- Auto-phasing of ink stream for consistent print quality
- Microjet nozzle cleaning function
- Wide range of standard, pigmented, food and MEK-free inks
- Dimensions: 227 mm x 42 mm x 49 mm (9,0" x 1,7" x 1,9")
- Conduit inlet at 90° (optional)
- Internal Supply Positive Air Function
- 90° model for reduced/short spaces (optional)

EXTERNAL CONNECTIONS

- Serial connection RS232 and RS485/422
- Ethernet interface for LAN connection (optional)
- Sensor management for product reading
- System ready output
- Shaft Encoder input for variable speed production lines
- External alarm outputs with traffic light column
- Parallel interface BCD, double bit

ENVIRONMENT/ELECTRICAL REQUIREMENTS

- Temperature: from 5° to 45°C (40°-113°F)
- Humidity: 10 - 90% (non-condensing)
- Single Phase, 85-240 Vac, 50-60 Hz, 85 VA



Use a QR code reader to see the product page

Zanasi S.r.l.
Via Marche, 10
41049 Sassuolo (MO) Italy
Tel. +39 0536 999711
Fax +39 0536 999765
www.zanasi.it - info@zanasi.it

Zanasi USA
www.zanasiusa.com

Zanasi China
www.zanasichina.com

 **ZANASI**[®]
make your mark
www.zanasi.it