



IQ4 & CW3 - Combination System

Designed for Food & Packaging Industries

Metal
Detection

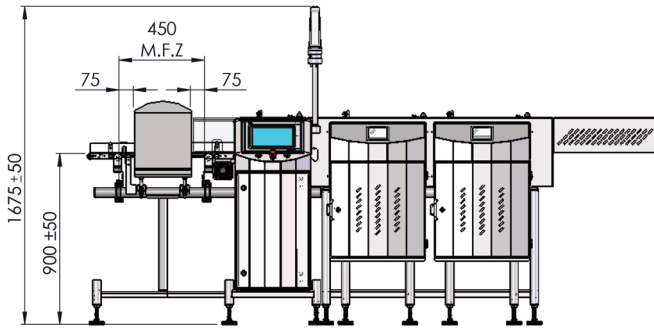
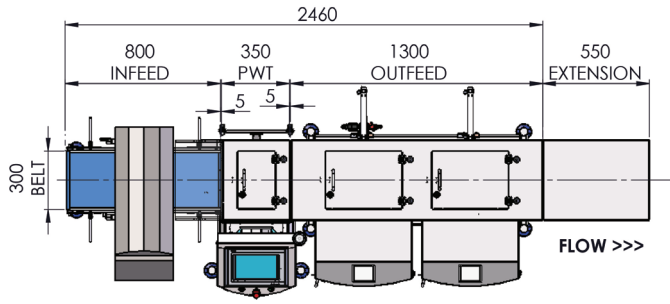
The IQ4 Metal Detector & CW3 Dynamic Checkweighing combination system is designed for detecting contaminants and reducing giveaway in food products. This system is perfect for inspecting retail-packed convenience food, sausages, joints, ham, prepared fruit and vegetables and much more.

Product Highlights

- Detects Ferrous, Non-Ferrous and Stainless steel grade metals with automatic rejection of contaminated products
- Single touchscreen control via the checkweigher complete with Icon Driven Menu's for easy operation and integrated machine communication for safe product transfer
- Combination system eases acquisition, installation and support of a robust CCP designed to improve quality of production output simplifying the process
- Extensive data logging and reporting via USB or Ethernet for HACCP and retail compliance
- Multilevel password protection provides secure access and are logged against events for traceability (CFR21 part11)



Technical Specification



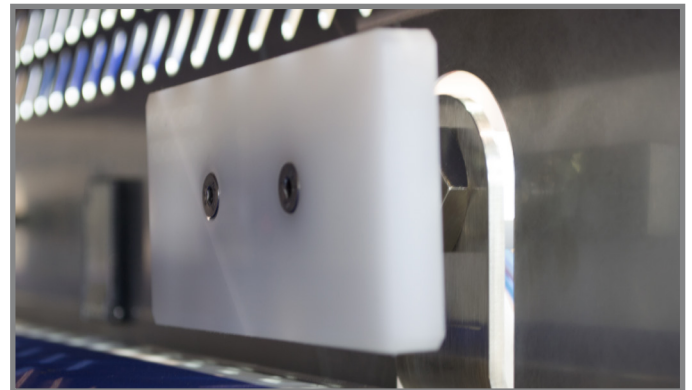
Measurements shown in MM. Machine in picture used as "typical" example only

IP Rating	IP65
USB Capability	Yes
PVS Enabled	Yes
True Variable Frequency	31KHz to 882KHz
Finish	304 Brushed Stainless Steel
Line Height Options (mm)	700,750,800,850,900,950,1000 +/- 50
Product Height (mm) (recommended maximum)	Head Dependent
Product Width (mm) (recommended maximum)	Head Dependent
Product Length (mm) (recommended maximum)	Head Dependent
Power Consumption	20VA
Supply Voltages	110 - 250V AC 50/60KHz
Temperature Range	-10°C to 35°C (14°F to 95°F)
Humidity	0 to 95% Relative Humidity (Non-condensing)
Belt Type	PU Blue Belt
Speed Range	5 - 75 m/min
Air Supply	5 to 8 Bar (10mm Outside Dia) 72-116 PSI
Weight Range (g) MID/R51 Approved	Weightable Dependent
Weight Range (g) Non - Approved	Weightable Dependent
Typical Accuracy (g)	Weightable Dependent

Automatic Reject Options

This combination system is supplied as standard with two automatic reject stations with the following options:

- Pusher
- Air-blast, single nozzle
- Air-blast, dual nozzle
- Retracting band



An ITW Company

Loma Systems is a registered trademark of Illinois Tool Works Inc. (ITW). Other names, logos, icons and marks identifying our products and services referenced herein are trademarks of ITW and may not be used without the prior written permission of ITW. Other product and company names listed are trademarks or trade names of their respective companies. Copyright © 2016 Illinois Tool Works Inc. All rights reserved. All of the specifications shown in this document are subject to change without notice.

www.loma.com

Tel: +44(0)1252 893300 (UK) | +1-800-872-LOMA (North America)

Metal Detection | Checkweighing | X-Ray Inspection

In association with

